

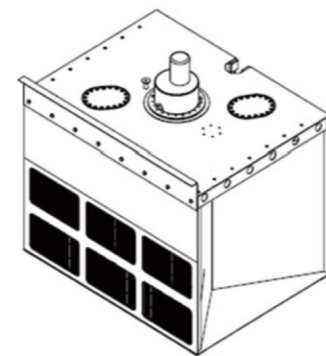
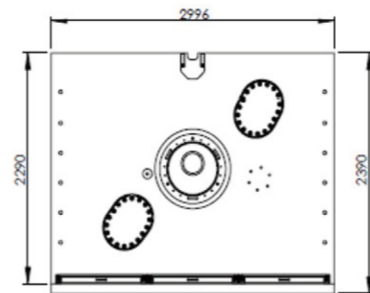
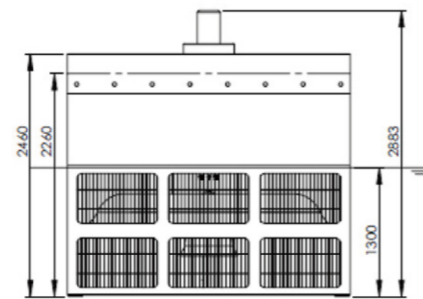
Technical Specifications

Model No.: B0004SP Ver. 06/2012

Key Parameters

Height	2.88 m
Width	3.00 m
Depth	2.39 m
Weight	2.97 t
Draft	1.30 m
Freeboard	0.96 m
Material	Mild Steel
Position Keeping	Attachable to floating platform or interconnected with Hann-Ocean's Rigid Pontoon Connectors

DRAKOO-B



Internationally Patented

Power Take-off System

Power Take-off Driver	Kaplan Turbine
Electricity Generator	PMSG
Nominal Output	2.6 kW
Peak Output (Cut-off)	4.0 kWp
Min. Wave Height & Period for Peak Output	0.9 m & 6 sec
Output Voltage	100-400 Vac (3 phase)
Wave Absorption/Capture Efficiency (Peak)	> 80 %
Overall Wave-to-Electricity Efficiency (Peak)	55 %

Power Output Scatter Diagram

Tp (s) \ Hs (m)	3	4	5	6	7	8	9	10	11	12
0.2	0.04	0.10	0.15	0.17	0.16	0.14	0.11	0.09	0.07	0.01
0.3	0.08	0.25	0.37	0.43	0.41	0.35	0.28	0.20	0.15	0.03
0.4	0.15	0.45	0.68	0.78	0.75	0.64	0.50	0.40	0.29	0.04
0.5	0.26	0.72	1.10	1.30	1.22	1.03	0.81	0.63	0.46	0.07
0.6	0.37	1.07	1.64	1.87	1.80	1.54	1.20	0.93	0.68	0.10
0.7	0.52	1.52	2.24	2.55	2.45	2.10	1.68	1.33	0.95	0.14
0.8	0.68	1.98	2.92	3.33	3.21	2.74	2.19	1.74	1.30	0.18
0.9	0.88	2.51	3.69	4.00	4.00	3.47	2.77	2.21	1.65	0.25
1	0.88	2.51	3.69	4.00	4.00	3.47	2.77	2.21	1.65	0.25
1.1	0.88	2.51	3.69	4.00	4.00	3.47	2.77	2.21	1.65	0.25
1.2	0.88	2.51	3.69	4.00	4.00	3.47	2.77	2.21	1.65	0.25
1.3	0.88	2.51	3.69	4.00	4.00	3.47	2.77	2.21	1.65	0.25



WAVE ENERGY CONVERTOR

DRAKOO™
TYPE-B



Hann-Ocean Energy Pte. Ltd.
60 Paya Lebar Road
#04-36 Paya Lebar Square, Singapore 409051
Tel: (65)677897980 Email: enquiry@hann-ocean.com



www.hann-ocean.com

